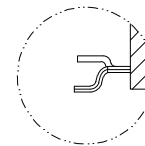
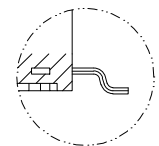


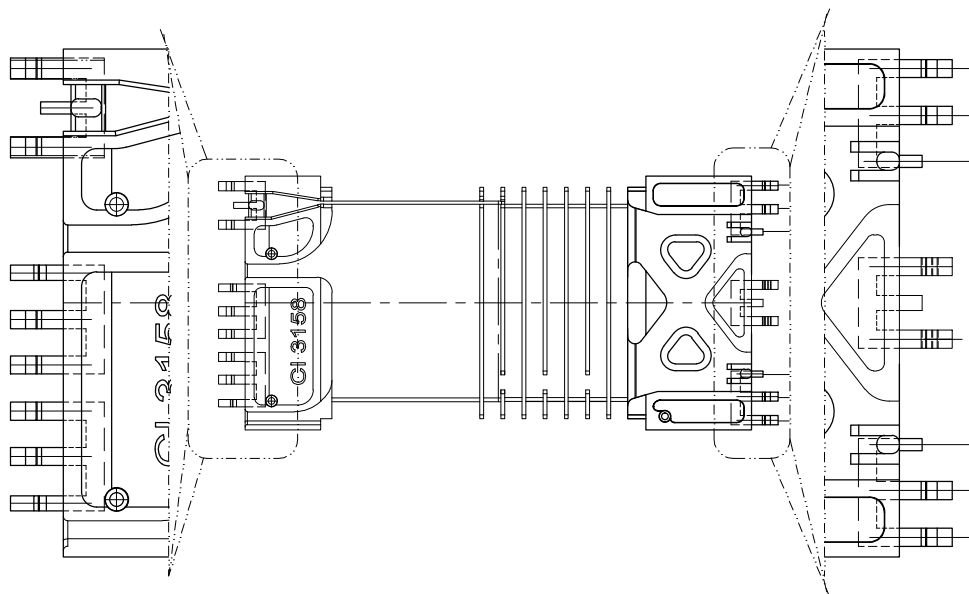
SECTION A-A



DETAIL "B"  
SCALE 2:1



DETAIL "C"  
SCALE 2:1



④							
③							
②							
①							
MARK	REVISION NOTE			DATE	DRAWN	CHECKED	APPROVED
	DRAWN	CHECKED	APPROVED	MATERIAL : L.C.P	UL REC. : UL94V-0	THIRD ANGLE PROJ.	SCALE : 1/1
	Yoon KS	Hyoung Seok, Lee	Chul, Park	DATE : 2009.07.20	TOLERANCE : ±0.2 (Unless otherwise specified)	UNIT : m/m	
주식회사 대흥보빈 DAE HEUNG BOBBIN CO., LTD				TITLE		DWG NO	
				CI 31*58		DH-090903-7051-00	